

Rear Door Frame Assembly Instructions

To Add Rear Door Frame to Craft Hut, Light Dome, or Showoff Canopy

Important: Review these instructions completely **before assembling your canopy**. Door frame assembly is put into place as the canopy is being set up.

Parts List:

- (1) Telescoping Leg Top – 50 ¼"
- (1) Telescoping Leg Bottom – 47"
- (1) Canopy Foot
- (1) 22 ½" female pole (for 7 ft. StaBar pole)
- (2) StaBar Ell joints
- (1) Door Ell joint

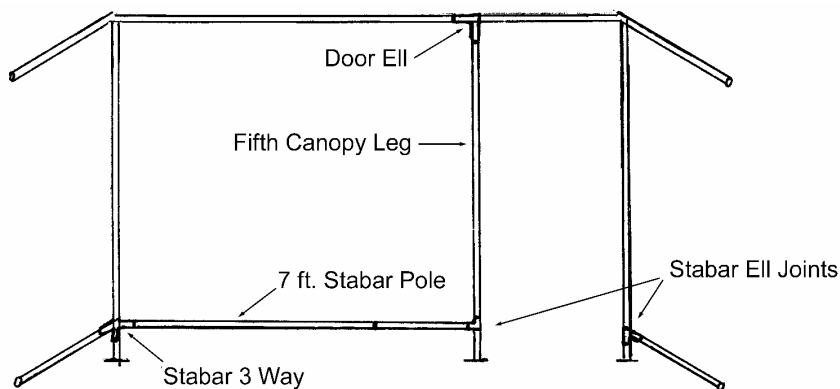


Assembly:

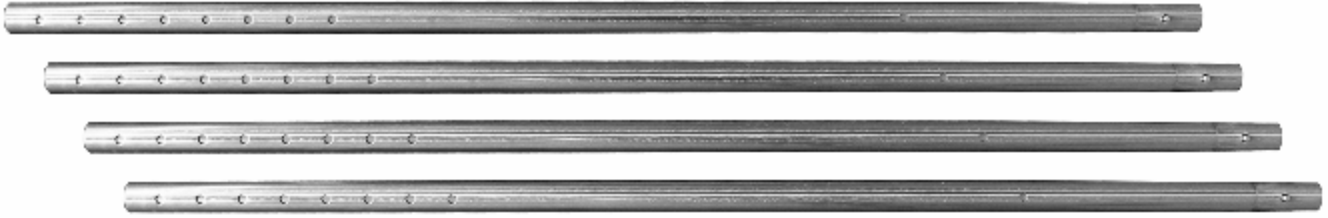
1. While assembling your Craft Hut, Light Dome, or Showoff canopy frame, slide the Door Ell joint onto the rear upper horizontal pole (see picture).
2. When assembling your canopy legs, slide a StaBar Ell joint onto the right rear leg, and a StaBar 3-way joint onto the left rear leg (as seen from in front of booth looking in - see picture below).
3. Slide a StaBar Ell and a foot onto the bottom of the telescoping leg.
4. When canopy is erect on 4 legs, slide the Door Ell joint to approximately 3-ft from the right rear corner and insert the fifth leg into it.
5. Assemble StaBar poles so that you have 2 at 10-ft and 1 at 7-ft (for 7 ft. stabar, use a standard male no-color pole and the 22 1/2" female pole). Attach StaBar poles, beginning with the rear 7 ft. pole, sliding the Door Ell joint into it's final position so that the fifth leg stands plumb.

Cut-Away view of rear door frame as seen standing in front of booth looking in

Note: This view does not show all canopy parts. Refer to canopy setup instructions for placement of these joints.



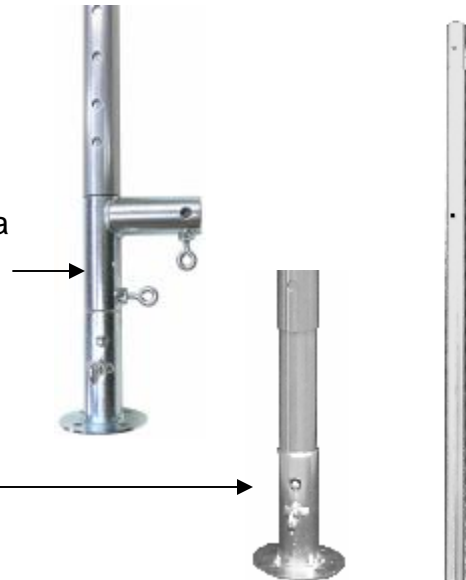
Instructions for Using Your Telescoping Legs



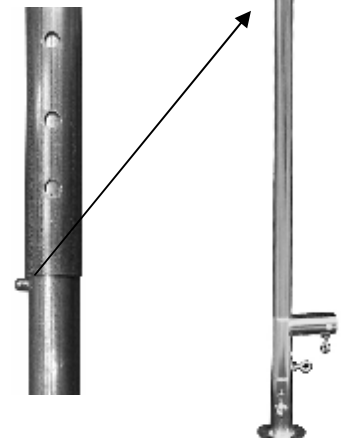
Your telescoping legs will arrive to you in the “collapsed” position with the inner “bottom” section completely inside the outer “top” section – see photo above.

To begin, grasp the top section firmly and shake downwards to slide the bottom section out slightly.

1. Note that there is a hole near the top of the outer section well above the long row of holes. Pull the inner section out about 6 inches and rotate until the snap button at the top of the inner section finds that hole and clicks into place.
2. If you are using your legs for a TrimLine canopy or a Mesh Panel Booth Frame you may slide your StaBar Ell or StaBar 3 way fittings onto the leg bottom before attaching the foot.



3. Slide a foot onto each leg and rotate until the snap button in the leg clicks into the snap button hole in the foot.
4. The telescoping leg is designed so that in the “collapsed” position you may keep the foot and/or the StaBar fittings on the leg when transporting them.
5. To extend the leg for use it’s handy to use your toe to hold the foot plate down while lifting the outer section. Lift up until a snap button pops out from the inner section.
6. You may then rest the upper section on this snap button while you rotate the inner section until another snap button clicks into the topmost hole in the long row of holes. This is the extended position. From there you may simply extend the leg one hole at a time to reach the desired height or to account for uneven terrain in outdoor uses.



7. To collapse the leg simultaneously push in the “rest” snap button and the snap button in the long row of holes, and slightly rotate the inner section so the snap button does not catch in each hole on the way down.