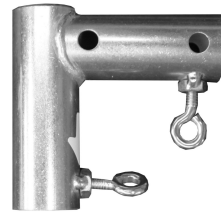


Wall-Height Light Pole

Installation Instructions

Parts

- (1) Ell Joint
- (1) Long Ell Joint
- (1) Male pole section – 61" long
- (1) Female pole section – 54 ¼" long, coded red
- (4) Thumbscrews



Ell Joint



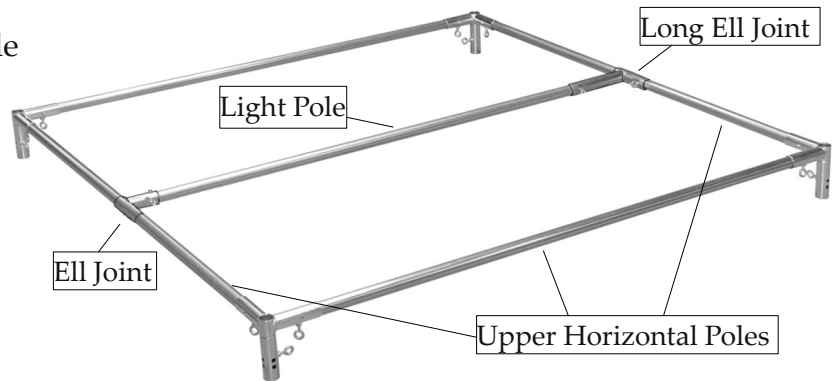
Long Ell Joint

Assembly

1. While assembling upper horizontal poles (roof frame for canopy **-or-** upper horizontals for indoor frame) slide Joints onto poles in approximate position on opposite sides of frame. Complete frame assembly as usual.
2. Connect male and female pole sections to form a 112 ½" light pole.
3. Insert red coded end of light pole into Long Ell, sliding it as far in as possible.

4. Now move to the other end of the light pole and slide it back until you are able to click it into place in the shorter barreled Ell Joint.

5. Finger-tighten thumbscrews.



Outdoor Set-Up Options

If you are installing your light pole in a TrimLine Canopy, you may choose to place it above wall height by sliding Ell Joints onto the Riser poles at the gable ends of the canopy during set up of the roof frame. Proceed with assembly as above.

